


GS-21 Lid Stay (With Catch)

Top opening

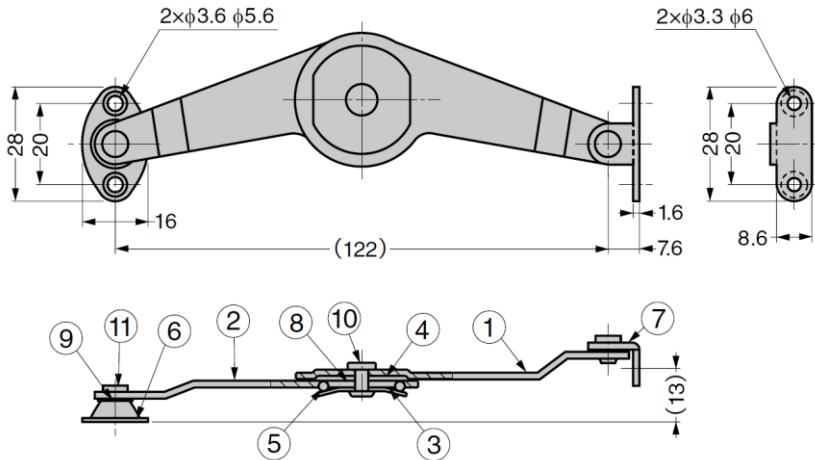
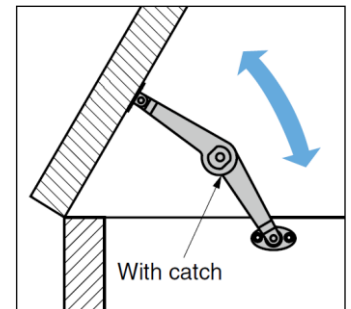
| Opening Direction | Description |
|--|-------------|
|  Top-opening | With Catch |

Features

- With catch

Notes

- Catch mechanism may not work, depending on door weight
- When installing this stay to sheet metal, be sure to perform thread relief processing (chamfering) on the mounting surface side (cabinet side). In this way, screw head will not protrude when the stay is fixed



Left-handed type shown.

| No. | Part Name | Material | Finish |
|-----|----------------|---------------|--------------------|
| ① | Body A | Steel (SPCC) | Chrome |
| ② | Body B | | |
| ③ | Spring A | Steel (SK) | - |
| ④ | Spring B | | |
| ⑤ | Balls | Steel (SWRCH) | |
| ⑥ | Mounting Plate | Steel (SPCC) | Chrome |
| ⑦ | Bracket | | |
| ⑧ | Washer | | |
| ⑨ | Washer | PA | Natural |
| ⑩ | Centre Shaft | Brass | Tin Cobalt Plating |
| ⑪ | Shaft | | |

| Part No. | Type | Tension Force (per pierce) | |
|----------|--------------|----------------------------|---------|
| GS-21R | Right-handed | 309 N | 31.5 kg |
| GS-21L | Left-handed | | |